

# TS4 The professional edge



## Introducing TS4 Extrusion

As part of our continuing contribution to introduce innovation to the New Zealand Shopfitting, Display and Joinery industry, please find attached for your evaluation information on our **TS4** profile designed for a range of applications in our industry.

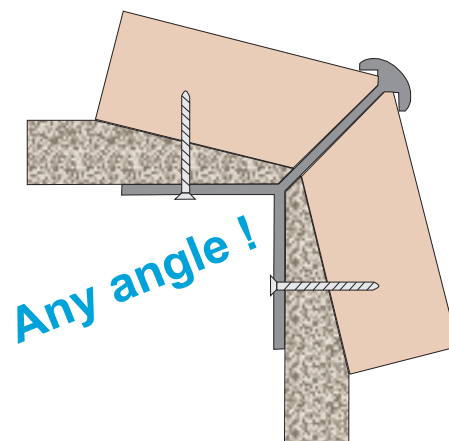
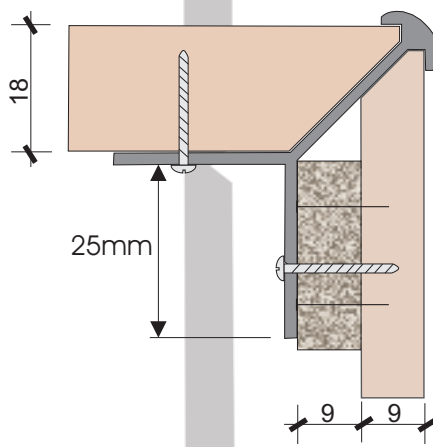
**TS4** is ideal for application in shopfittings, displays, retail fixtures, shopfronts, bulkheads, supermarkets, office fixtures, kitchens and numerous joinery situations.

**TS4** has been designed with simplicity of installation in mind. Either in the joinery shop or on site, no precise joinery machinery is needed. All you need is a skill saw, a plane and a drill/screwdriver. Simply cut the MDF to 45 degrees, plane a 2mm flat on the sharp edge and attach the **TS4**.

The detail shows how **TS4** can easily adapt to 18mm, 12mm or 9mm MDF or slat panel products.



**TS4** Design Registration 405090



**TS4** is available ex stock from MHS Shopfittings in 3700mm lengths @ \$30.00 + GST per length (Packaging and freight extra) - Jan 2009